



中国认可
国际互认
检测
TESTING
CNAS L1449

检 验 报 告

TEST REPORT

报告编号: FH2015NG0089
Report No.



样品名称:
Sample Name

OSB面结构保温板 (oSIPs) 屋面
OSB skin Structural Insulated Panels
Components for Roof

委托单位:
Applicant

大连阔森特新型建材有限公司
Dalian Quacent New Building Materials
Co. Ltd

检验类别:
Test Type

委托检验
Applicant Test

国家建筑防火产品安全质量监督检验中心

National Center for Safety Quality Supervision and Testing of Fire-proof Building Products



国家建筑防火产品安全质量监督检验中心
National Center for Safety Quality Supervision
and Testing of Fire-proof Building Products
检验报告 (TEST REPORT)



报告编号 No: FH2015NG0089
Report No. _____

第1页, 共5页
Page 1 of 5

委托单位 Applicant	大连阔森特新型建材有限公司 Dalian Quacent New Building Materials Co. Ltd	检验类别 Test type	委托检验 Applicant Test
受检单位 Inspected Entity	大连阔森特新型建材有限公司 Dalian Quacent New Building Materials Co. Ltd	委托日期 Consign Date	2015年11月18日 November 18, 2015
工程名称及使用部位 Engineering Name and Application Part	—	来样日期 Accept Date	2015年11月18日 November 18, 2015
样品名称 Sample Name	OSB面结构保温板 (oSIPs) 屋面 OSB skin Structural Insulated Panels Components for Roof	样品数量 Sample Quantity	9m ²
型号/规格 Type/Specification	1.22m×3m×0.272m	样品等级 Grade	—
生产单位 Manufacturer	大连阔森特新型建材有限公司 Dalian Quacent New Building Materials Co. Ltd	样品状态 Sample State	固体 Solid
生产日期/批号 Production Date/Lot No	—	商标 Trade Mark	阔森特 QUACENT
检验依据 Ref Documents	GB/T 9978.1-2008 《建筑构件耐火试验方法 第1部分: 通用要求》 Fire-resistance tests-Elements of building construction-Part 1: General requirements		
检验项目 Test Item	耐火极限 Fire-resistance		
检验结论 Test Conclusion	该样品经检验, 耐火极限时间达到1.0h。 The sample is tested, Fire-resistance time is 1.0h. 签发日期: 2016年04月07日 Issue Date: April 7, 2016 Issued by (Stamp) 		
附注 Remarks	1、本检验结果仅对该来样负责; The test result is only responsible for the sample; 2、耐火极限1h。(委托方要求) Fire resistance time is 1h.(The client request); 3、试件由委托方安装施工, 砌筑成(宽×高×厚)3000mm×3000mm×272mm的墙体。 Sample installed by client, the wall size is 3000mm×3000mm×272mm(Width * Height * Thickness).		

批准:
Approved by:

审核:
Inspected by:

主检:
Tested by:

国家建筑防火产品安全质量监督检验中心

National Center for Safety Quality Supervision and Testing of Fire-proof Building Products

检验报告 (TEST REPORT)

报告编号No: FH2015NG0089
Report No. _____

第2页, 共5页
Page 2 of 5

序号 No.	检验项目 Test Item	标准要求 Standard Requirements	检验结果 Test Result	单项判定 Individual Judgment
1	耐火极限 Fire-resistance	<p>隔热性 Thermal insulation</p> <p>试件背火面温度温升发生超过以下任一限定的情况均认为试件丧失隔热性: a) 平均温度温升超过初始平均温度140℃; b) 任一点位置的温度温升超过初始温度(包括移动热电偶)180℃(初始温度是试验开始时背火面的初始平均温度)。 Surface temperature rise of specimen back is over the following any qualified happens that the specimen is loss of thermal insulation: a) The average temperature rise exceeds the initial average temperature 140℃; b) The temperature rise of any point(Including mobile thermocouple)exceeds the initial temperature 180℃(The initial temperature is the initial average temperature of the back surface at the beginning of the test).</p>	<p>1.0h (60min) 时, a) 平均温度温升为9℃, 未超过初始平均温度140℃; b) 最高温度温升为13℃, 未超过初始温度(包括移动热电偶)180℃; 试件未丧失隔热性。 委托方要求终止试验。 At 1.0h (60min), a) The average temperature rise of 9℃, not exceeding 140℃ of the initial average temperature; b) The highest temperature rise of 13℃, not exceeding 180℃ of the initial temperature(Including mobile thermocouple). The specimen is without loss of thermal insulation. The client requests the test termination.</p>	符合 Meet
	完整性 Integrity	<p>试件发生以下任一限定情况均认为试件丧失完整性: a) 棉垫被点燃; b) Φ6mm的缝隙探棒穿过试件进入炉内, 并沿裂缝方向移动150mm的长度; Φ25mm的缝隙探棒穿过试件进入炉内; c) 背火面出现火焰并持续时间超过10s。 The following any qualified happen that the specimen is loss of integrity: a) Pads was lit b) Φ 6mm probe gap through the specimen into the furnace, and along the fracture direction of 150 mm in length; Φ 25mm probe gap through the specimen into the furnace; c) Back surface appears flames and lasts more than 10s.</p>	<p>1.0h (60min) 时, a) 棉垫未被点燃; b) 未出现裂缝; c) 背火面无火焰; 试件未丧失完整性。 委托方要求终止试验。 At 1.0h (60min), a) Pads are not lit; b) No cracks; c) No flame on back surface. The specimen is without loss of integrity. The client requests the test termination.</p>	

检测地址: 北京市房山区窦店镇亚新路17号。
Test address: No.17, Yaxin road, Doudian town, Beijing City.
联系电话: 4000330789, 010-88724984。
Tel: 4000330789, 010-88724984.
(本页以下空白)
(The following blank of this page)

国家建筑防火产品安全质量监督检验中心

National Center for Safety Quality Supervision and Testing of Fire-proof Building Products

检验报告 (TEST REPORT)

报告编号 No: FH2015NG0089
Report No. _____

第3页, 共5页
Page 3 of 5

图1 炉内升温曲线
Figure 1 Temperature rise curve of furnace

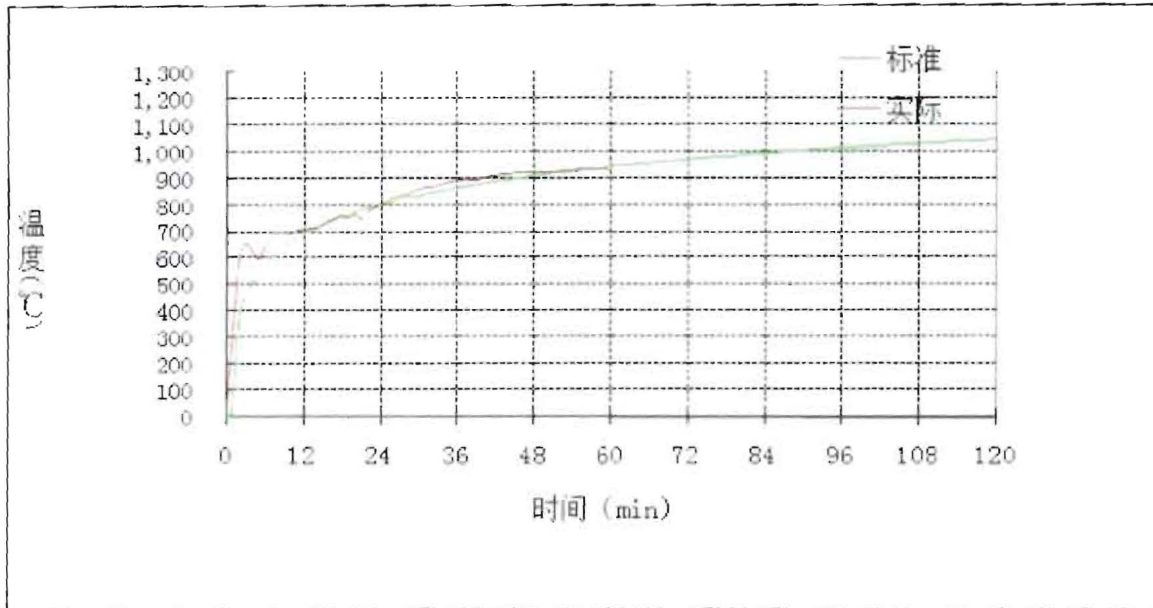
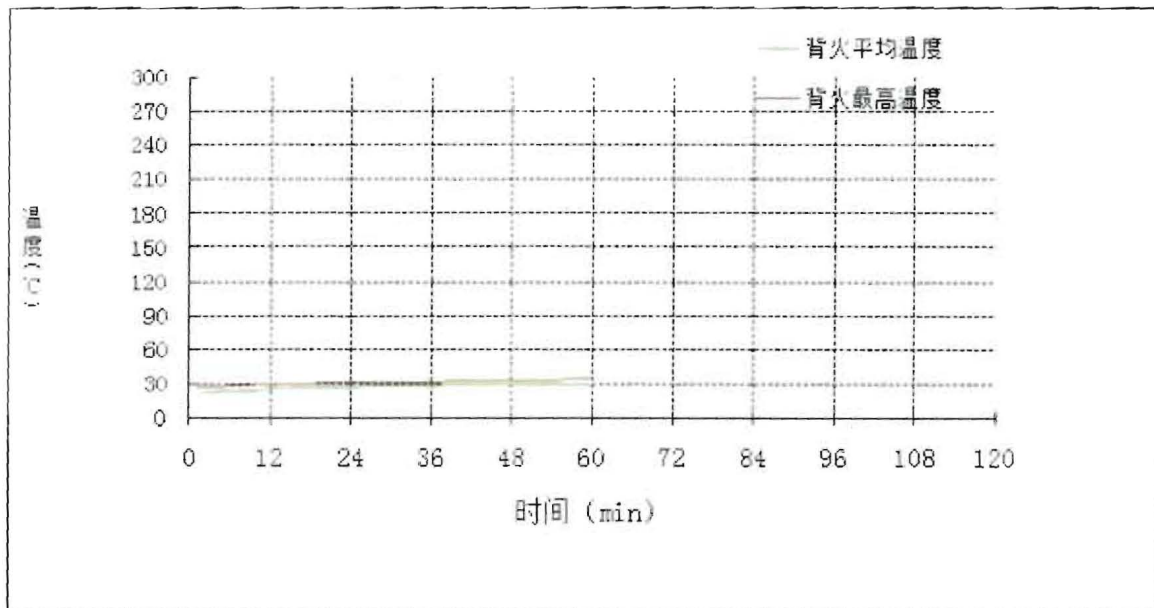


图2 背火温升曲线
Figure 2 Temperature rise curve of back surface



国家建筑防火产品安全质量监督检验中心
National Center for Safety Quality Supervision and Testing
of Fire-proof Building Products
检验报告 (TEST REPORT)

报告编号 No.: FH2015NG0089
Report No. _____

第4页, 共5页
Page 4 of 5

图3 试件试验前背火面
Figure 3 Back surface of specimen before test



图4 试件试验后背火面
Figure 4 Back surface of specimen after test



国家建筑防火产品安全质量监督检验中心

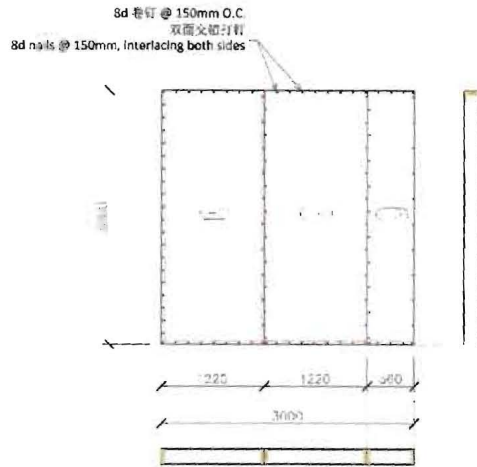
National Center for Safety Quality Supervision and Testing of Fire-proof Building Products

检验报告 (TEST REPORT)

报告编号 No: FH2015NG0089
Report No.

第5页, 共5页
Page 5 of 5

图5 试件拼装示意图
Figure 5 Assembly diagram of the Specimen

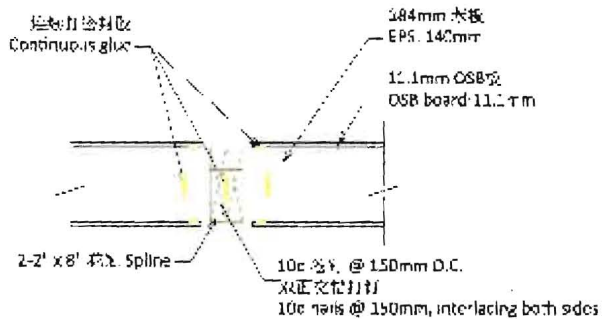


OSB面结构保温板 (oSIPs) 屋面板
结构部分210mm 共1组
210mm thick OSB skin Structural Insulated
Panels for Roof 1 group

图6 试件构造及节点示意图
Figure 6 Structure and node diagram of the specimen



oSIPs 屋面板构造图
OSB skin Structural Insulated
Panels Components for Roof



oSIPs 屋顶结构连接通用节点
oSIPs Roof panel structural connection details
SCALE: 1:50

(本页以下空白)
(The following blank of this page)